

SCOREMAX

score the max

SCMP1

OPERATING INSTRUCTIONS



TABLE OF CONTENTS

1. GENERAL INSTRUCTIONS
2. SAFETY INSTRUCTIONS
3. DESCRIPTION
4. BATTERY
 - a) Battery lifetime
 - b) Replace the battery
5. COCKING AND SHOOTING
6. SIGHT ADJUSTMENTS
 - a) Adjust the individual sighting length.
 - b) Adjust the front sight
 - c) Rearsight adjustment
 - d) Adjust the laser beam
 - e) Adjust the rearsight
7. TRIGGER ADJUSTMENTS
 - a) Adjust the triggerweight
 - b) Overlap
8. GRIP ADJUSTMENTS
9. CLEANING AND CARE
10. WARRANTY

1. GENERAL INSTRUCTIONS

Please read and follow the operating instructions carefully. The SCMP1 is designed, especially for using in UIPM Laser Run sport. The SCMP1 is an optoelectronic device, disassembly is not allowed.

2. SAFETY INSTRUCTIONS

- Do not look into the laser beam.
- Do not aim at people, animals, planes, cars, or any other similar objects.

Use the SCMP1 only in designated areas.

- Follow the usual rules for firearms, even the SCMP1 is only a laserdevice.

Store the SCMP1 in the transport case if you are not using it.

-

3. DESCRIPTION



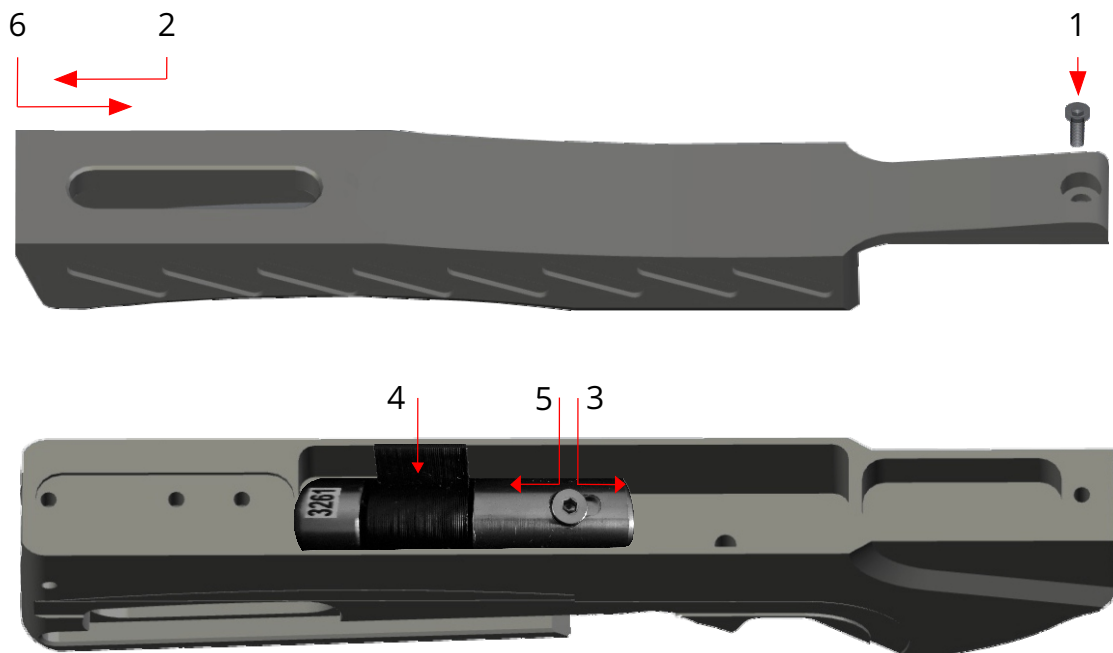
- | | |
|--------------------|--------------------|
| 1. Laser | 7. Handrest |
| 2. Frontsight | 8. Grip |
| 3. Laser container | 9. Trigger |
| 4. Cocking lever | 10. Housing |
| 5. Rearsight | 11. Balance Weight |
| 6. Rearsight plate | 12. Gliding Ball |

4. BATTERY

a) Battery lifetime

Our lasersystem needs energy only for each single shot. Because the system never goes into standby, it requires very little power. Therefore, one battery pack is enough for approx. 100.000 shots!

b) Replace the battery



1. Turn the screw counterclockwise.
2. Slide the container cover forward and remove the cover.
3. Turn the screw counterclockwise and slide it backwards.
4. Remove the battery cover and replace the LR44 batteries. Please pay attention to the polarity.
5. Turn the screw clockwise and slide it forwards.
6. Place the cover of the container and slide it forward. Then fasten the screw again.

5. COCKING AND SHOOTING



You don't need any magnetic key to turn on the system and there is also no switch on / off button. Just pull the cocking lever backwards to the stop and shoot.

6. SIGHT ADJUSTMENTS

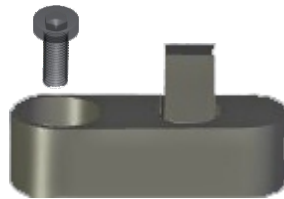
a) Setting the individual sighting length.



You can change the position of the rearsight and the frontside.

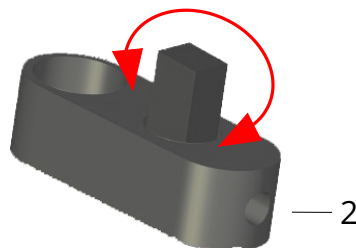
b) Adjust the front sight

After loosening the countersunk screw, the front sight can be moved backward and forward.



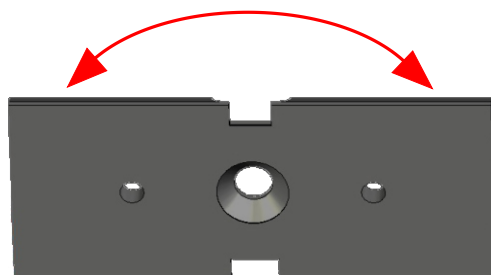
Changing the front sight size

loosen the screw 2, turn the front sight and tighten the screw again.



c) Rearsight adjustment

the rearsight plate has two notches, one is 3 mm, the other is 4 mm. To change the two adjustments, loosen the countersunk screw, reset the rearsight plate and fasten the countersunk screw.



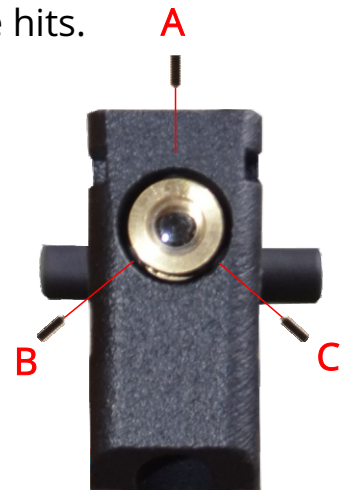
d) Setting the laser beam.

Adjust the set screws very carefully and only in small steps to avoid damages.

Turn the setscrews as follows to adjust the hits.

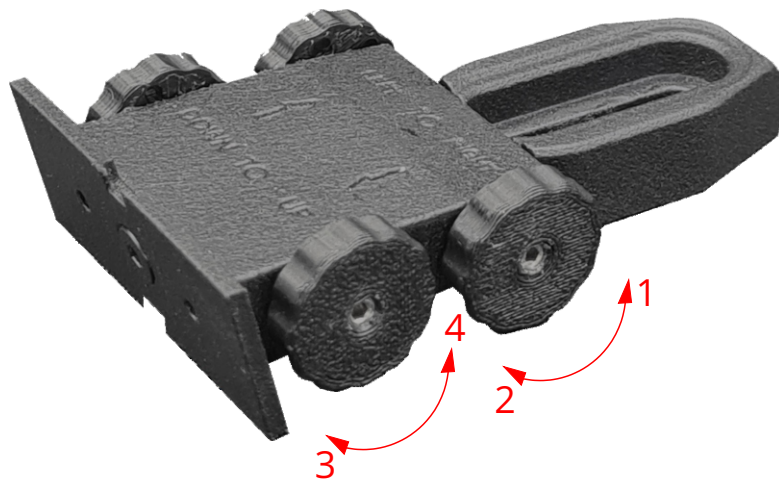
Turning the screw A changes the high setting

Turning the screws B / C changes the side setting



e) Adjust the rearsight

please turn the setscrews as follows to adjust the hits.



Right hit: to left (1)

High hit: to down (3)

Left hit: to right (2)

Low hit: to up (4)

7. TRIGGER ADJUSTMENT

a) Adjust the trigger weight

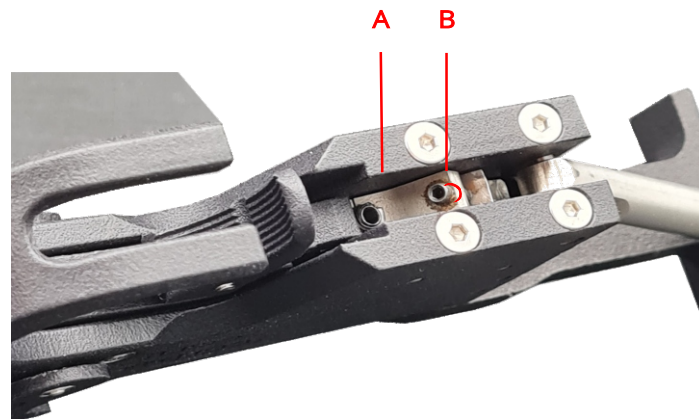
Remove the grip by loosening the headscrew on bottom side of the grip.

Turning the screw A clockwise increase the triggerweight.

Turning the screw A counterclockwise decrease the triggerweight.

b) Overlap

The sear engagement is already exactly adjusted by the factory and must not be changed. The screw B therefore is sealed with red colour.



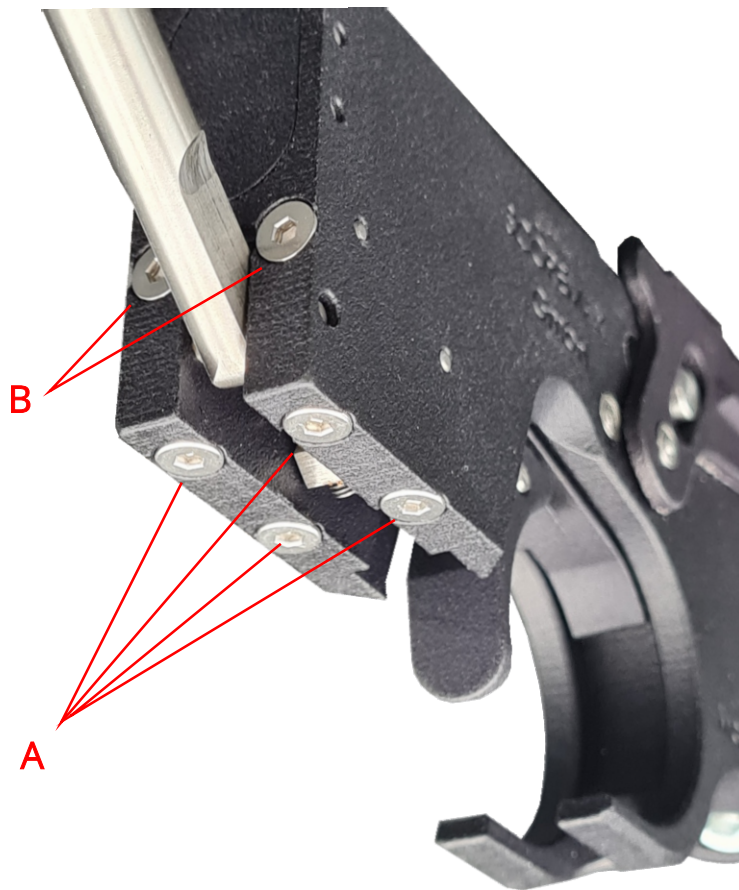
c) Adjust the trigger shoe

You can adjust the trigger shoe by loosen and tighten screw C.



8. GRIP ADJUSTMENT

The grip is adjustable in all directions to the pistol system and can be adapted to the shooters choice. The grip has to removed for this adjustment. The Adjustment is made via the screws at the bottom and the back of the housing.



Turning the screws A will change the angle and/or the height of the front sight.

Turning the screws B at the rear will change the barrel line to the left/right.

9. CLEANING AND CARE

The SCMP1 do not require any specific cleaning and operate maintenance free! Please change the laser batteries annually to be on the safe side. Avoid humidity and high temperatures.

10. WARRANTY

Our one year warranty begins with the date of your purchase. Guarantee will be given by either replacing or repairing the Laserpistol, or parts of it at our decision.

No warranty claims will be accepted by the SCOREMAX GmbH if:

a) the pistol has been damaged or destroyed by force majeure or environmental influences.

b) in case of changes or repairs by any non authorized people, or the pistol has not handled correct.

SCOREMAX GmbH

Address: Hofstadt 5a
5121 Tarsdorf
Austria

E-mail: info@scoremax.tech

Web: www.scoremax.tech

Phone: +43 6278 21300
+43 664 1372 076
+43 664 1372 086